

10/100 Base-T Five Port Transformer For Modules

P/N: H7201DG DATA SHEET

- IEEE 802.3u and ANSIX3.263 standards including 350 uH
OCL with 8mA bias
- Symmetrical TX and RX channels for auto MDI/MDIX capability
- Operating temperature range: 0°C to +70°C.
- Storage temperature range: -25°C to +105°C



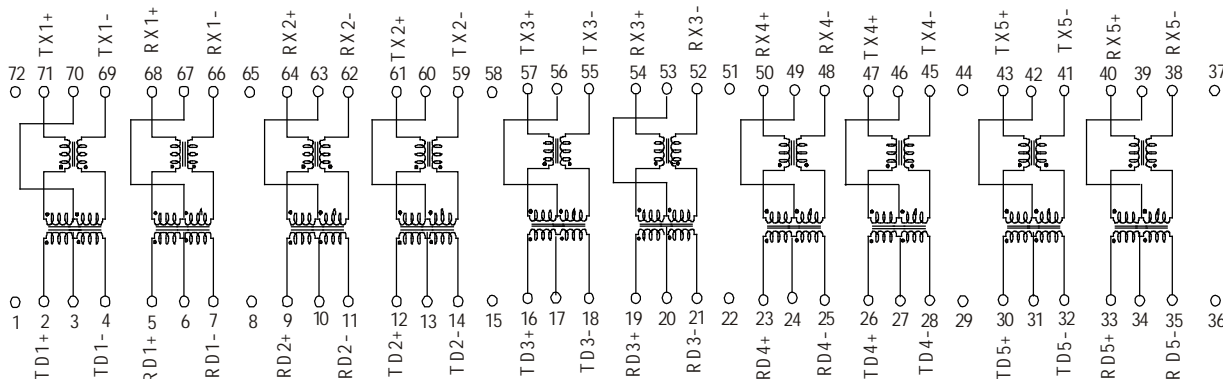
Electrical Specifications @25°C

Part Number	OCL(uH min) @100KHz/0.2V with 8mA DC Bias	Turns Ratio		Cross talk (dB min)			HI-POT (Vrms)
		TX	RX	30MHz	60MHz	100MHz	
H7201DG	350	1CT:1CT	1CT:1CT	-40	-35	-30	1500

continue

Part Number	Insertion Loss (dB max) 1-100MHz	Return Loss (dB min)					DCMR (dB min)		
		1-30MHz	40MHz	50MHz	60-80MHz	100MHz	30MHz	60MHz	100MHz
H7201DG	-1.0	-18	-14.4	-13.1	-12	-10	-40	-35	-30

SCHEMATICS



MECHANICAL

